



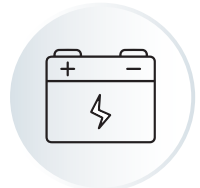
\* Image shown are just indicative



Rural Electrification



Street Light



Battery Charging



Sail Boat



Freezer

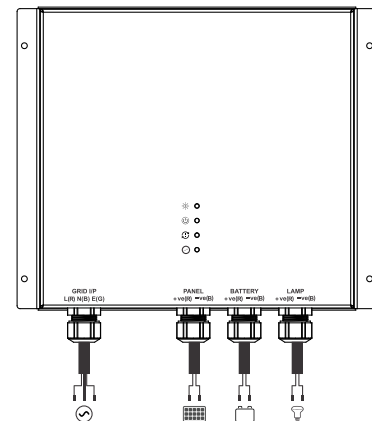
### Introduction

Inglo hybrid charge controller is designed for 12/24 V battery system. It comes with an outstanding battery charging algorithm, LED indication for state of charging, warning and protection functions. The use of MPPT technology can contribute to a considerable boost in energy output from PV modules (up to 30% more) compare to PWM technology. UART communication for remote monitoring is optional.

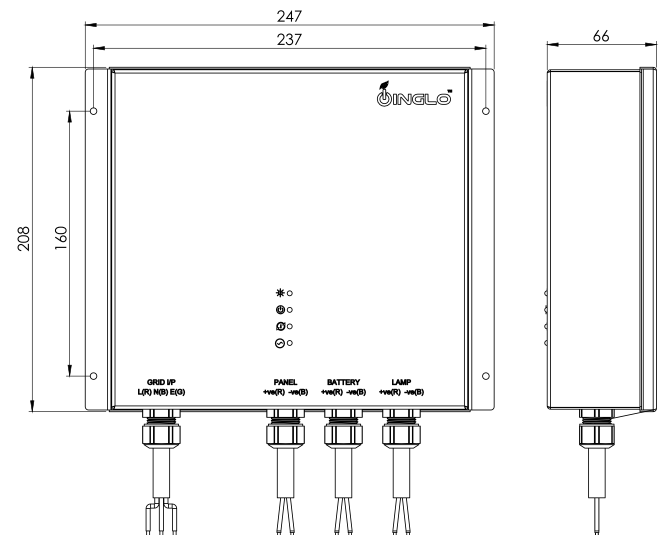
### Features

- Automatic identification of system voltage level.
- Lead Acid / Lithium battery charging technique.
- Up to 98% power conversion efficiency.
- Protected against Over Load, Short Circuit, Reverse Polarity connection of Solar Panel and Battery.
- State of battery charging indicated by LED.
- Automatic temperature compensation.
- Battery LVD Disconnection.

### Connection Diagram



### Dimension





**Specification**

Model	IHCC 45W	IHCC 60W
<b>Charge Controller Specification</b>		
System Voltage	12/24V	
Max Charge / Load Current	20A	
Float Charge	27.6V±0.2V	
Boost Charge	28.8V ±0.2V	
Equalization Charge	28.8V±0.2V	
MPPT tracking efficiency	> 98%	
Low Voltage Disconnect	22.0V±0.1V	
Reconnect Level	25.6V ±0.1V	
Overvoltage Protection	30.0V	
Under voltage Protection	21.0V	
Max Panel Power	480Wp	
Max. Panel Voltage	50Voc	
LED Indications	Blue->System on, Green ->Charging, Red-> LVD, Yellow-> Grid On	
Temperature Compensation	-50mV/k	
Idle Self consumption	<20mA	
Ambient Temperature	0°C ~ 55°C for charging	
	-20°C ~ 50°C for Discharging	
Battery Type	Lead Acid / Lithium	
Type of Protection	IP65	
Radiating Mode	Natural Cooling	
Protections	PV Reverse , Battery Reverse, Over Charge & Discharge, Overload, Output Short Circuit	
<b>Grid Specification</b>		
Input Voltage range (AC)	90 to 270V	
Input Frequency (Hz)	50Hz	
Protection	Input over voltage, Under Voltage, Short circuit, Surge [5KV]	
<b>Driver Specification</b>		
Power (incl. Driver)	45W	60W
Output Voltage	32V	42V
Output Current to string	1.4A	
Priority Function	When battery reaches LVD level AC mains will turn ON	

**Remarks:**

\* Based on customized

\*\* Specifications are subject to change without notice.