

* Image shown are just indicative



Airport



Institution



Hospital



Factory



Bridges



Highway & Roadway



Park & Playground

Features



Integrated design and structure

Solar Panel, Battery, Controller and PIR Sensor are integrated into one fitting. It makes easy installation, connection and maintenance



Programmable

Built-in smart MPPT Arm cortex based controller, adjustable Brightness and Timer/Parameters/IOT setting of light



In-built High life cycle Lithium Battery, rechargeable



Monocrystalline Solar Panel

We take use of monocrystalline solar panel, more efficient than normal poly solar panel, it saves size to make the light more compact



Visual display to show product status.

Specification

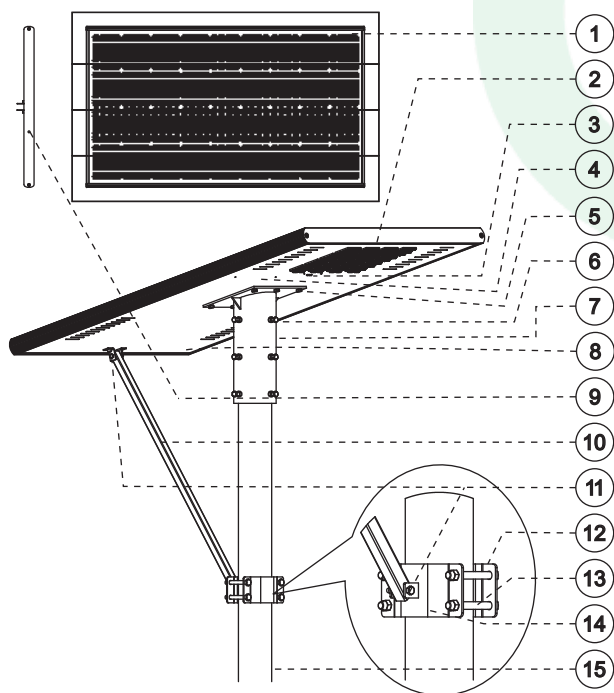
Parameter	90W	100W	120W
Charge controller Type		MPPT	
MPPT tracking efficiency		99%	
Conversion efficiency		>90%	
Standby power		<20mA	
Protection	Over Charging & Discharge, LVD, HVD, Temperature, Short Circuit		
Battery type		LiFePO ₄	
Nominal voltage		12.8V	
Battery capacity	48Ah	54Ah	60Ah
LVD		11V	
HVD		14.6V	
Charging type		CC CV	
Max charge current	10A	12A	15A
Max Discharge current	10A	12A	15A

Panel type	Mono-Crystalline		
Panel power	120Wp	130Wp	150Wp
Max Voc	21V		
Vmp	18V		
Isc	6.8A	7.65A	8.5A
LED power	90W	100W	120W
LED max lumen output	13500	15000	18000
LED system Efficiency	>150lm/W		
LED CCT	5700(+/-500) K		
Lighting Mode	Timer/Voltage SOC based dimming operation		
Lens type	PC (IP67, IK08 rated), Type II		
CRI	>70		
POH	>50000 Hrs		
Storage temperature	0 to 45deg		
Ambient temperature for charging	0 to 60deg		
Ambient temperature for discharging	-10 to 60deg		
Backup hours efficiency	>20hrs @ Power save mode		
Dimming	Available (Timer/Voltage Based)		
BLE light Control & Monitoring	Optional		
Hybrid charging / load drive	Optional		
IP Rating	IP65		
Material	Aluminium Alloy		
Installation height	10-12mtr		

Remarks:

** Specifications are subject to change without notice.

Part Description



S. No	Name	Brief Function
1	Solar Panel	To Charge Battery
2	LED Light	Illumination
3	LED's	Indicate the product status
4	Charge Controller	Charging, Discharging & Control light engine
5	M6 X 25 Screw Set	Hold Unit Main Body with lamp fixing pole clamp
6	M8 X 40 Screw Set	Hold lamp fixing pole clamp with pole
7	Light Fixing Pole Clamp	Hold lamp with pole
8	Battery	Energy Storage
9	Switch	Product On/ Off
10	Supporting Rod	Support lamp with pole
11	M6 X 40 Screw Set	For fixing supporting rod
12	U-Clamp	Fix the base clamp to pole
13	M8 X 60 Screw Set	For fixing U-Clamp
14	Supporting Clamp	Hold one end of supporting rod
15	Pole (Ø50 - Ø90mm)	Hold the Unit Main Body

Led Status Indication

Green LED	Green Blink	Charging
	Green Glow	Battery Full
Blue LED	Blue Glow	Product On
Red LED	Red Blink	LVD
	Red Glow	Over Temperature
Yellow LED	Yellow Glow	Load support through Grid(Optional)