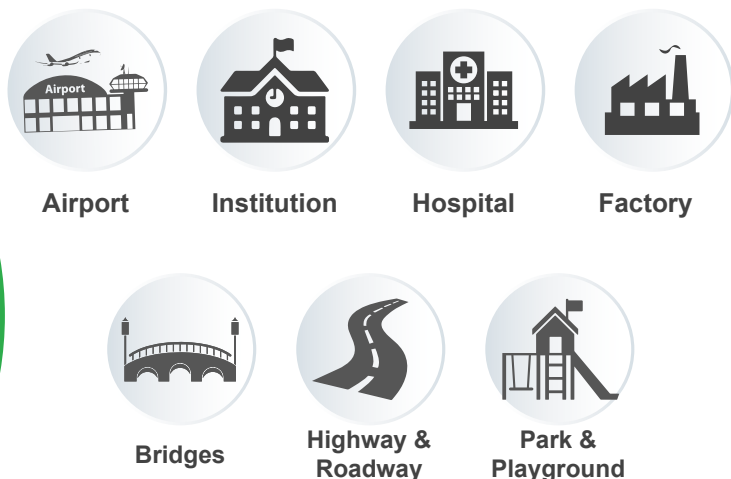


\* Image shown are just indicative



## Features

- Integrated design and structure**  
Solar Panel, Battery, Controller and PIR Sensor are integrated into one fitting. It makes easy installation, connection and maintenance
- Programmable**  
Built-in smart MPPT Arm cortex based controller, adjustable Brightness and Timer/Parameters/IOT setting of light
- In-built High life cycle Lithium Battery, rechargeable**

- Monocrystalline Solar Panel**  
We take use of monocrystalline solar panel, more efficient than normal poly solar panel, it saves size to make the light more compact
- PIR Motion Sensor**  
Integrated PIR motion sensor detect human movements to adjust the brightness, it saves energy and makes the light more durable.
- Visual display to show product status.**

## Specification

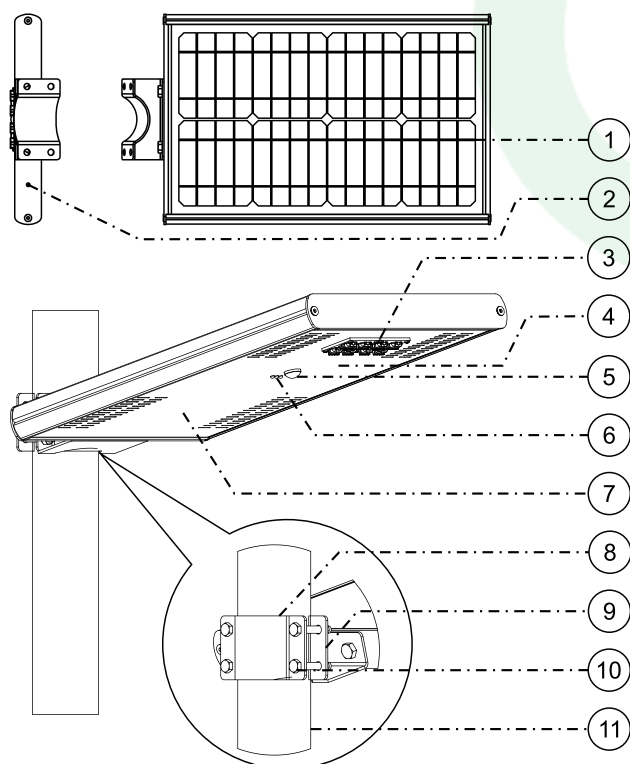
Parameter	12W	15W	18W	20W
Charge controller Type	MPPT			
MPPT tracking efficiency	99%			
Conversion efficiency	>90%			
Standby power	<20mA			
Protection	Over Charging & Discharge, LVD, HVD, Temperature, Short Circuit			
Battery type	LiFePo <sub>4</sub>			
Nominal voltage	12.8V			
Battery capacity	12Ah	12Ah	18Ah	18Ah
LVD	11V			
HVD	14.6V			
Charging type	CC CV			
Max charge current	2A	2A	3A	4A
Max Discharge current	2A	2A	3A	4A

Panel type	Mono-Crystalline			
Panel power	20Wp	25Wp	30Wp	40Wp
Max Voc	21V			
Vmp	18V			
Isc	1.18A	1.48A	1.77A	2.36A
LED power	12W	15W	18W	20W
LED max lumen output	1800lm	2250lm	2700lm	3000lm
LED system Efficiency	>150lm/W			
LED CCT	5700(+/-500) K			
Lighting Mode	Motion Sensor Based Operation			
Lens type	PC (IP67, IK08 rated), Type II			
CRI	>70			
POH	>50000 Hrs			
Storage temperature	0 to 45deg			
Ambient temperature for charging	0 to 60deg			
Ambient temperature for discharging	-10 to 60deg			
Backup hours efficiency	>26hrs @ Power save mode			
Motion sensor	PIR Sensor, 120°			
Dimming	Available			
BLE light Control & Monitoring	Available			
Hybrid charging	Optional			
IP Rating	IP65			
Material	Aluminium Extrusion /Alloy			
Installation height	4-5mtr			5-6mtr
Dimension (LxWxH) mm	500x370x50	535x370x50	595x370x50	725x370x50

**Remarks:**

\*\* Specifications are subject to change without notice.

**Part Description**



S.No	Name	Brief Function
1	Solar Panel	To Charge Battery
2	Switch	Product On/Off
3	LED Light	Illumination
4	Charge Controller	Charging, Discharging & Control light engine
5	PIR Sensor	For Motion Detection
6	LED's	Indicate the product status
7	Battery	Energy Storage
8	U-Clamp	Fix the base clamp to pole
9	Base Clamp	Lamp Fixing
10	M8X60 Screw	For fixing U-Clamp
11	Pole (Ø50 - Ø90mm)	Hold the Unit Main Body

**Led Status Indication**

Green LED	Green Blink	Charging
	Green Glow	Battery Full
Blue LED	Blue Glow	Product On
Red LED	Red Blink	LVD
	Red Glow	Over Temperature
Yellow LED	Yellow Glow	Load support through Grid(Optional)